



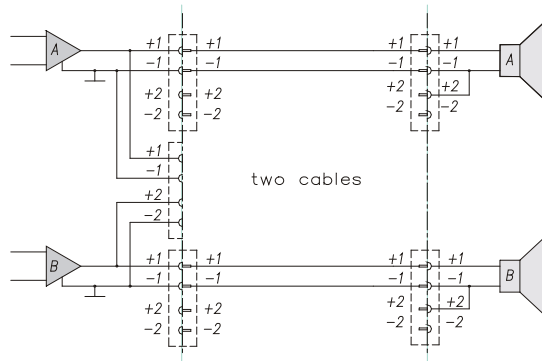
WIRING

Positive signal on speaker pin “+” produces positive waveform from driver (moves cone outwardly)
 “+” = In phase (high) “-” = Ground (out of phase, low) Lower numbers for lower frequencies

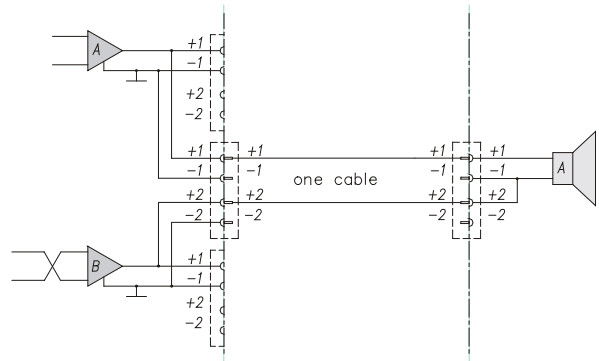
	AMPLIFIER	CABLE	SPEAKER
Stereo (“HiFi”)	one NL4MP socket left channel pins 1+/1- right channel pins 2+/2-	NL4MP on amplifier end, four conductor cable splits into two pairs with NL4FC on each end	one NL4MP per speaker left speaker pins 1+/1- right speaker pins 2+/2-
POWER (“PA”) Standard	three NL4MP socket “A” socket: left channel pins 1+/1- “B” socket: right channel pins 1+/1- “M” socket: left channel pins 1+/1- right channel pins 2+/2-	a two-conductor cable for each channel with NL4FC on both ends	NL4MP pin 1+ to speaker coil “+” NL4MP pins 1- and 2+ to speaker coil “-”
Bridged mono	“M” socket: left channel pins 1+/1- right channel pins 2+/2-	a special two-conductor cable, on both ends wired to pin 1+/2+ of NL4FC	NL4MP pin 1+ to speaker coil “+” NL4MP pins 1- and 2+ to speaker coil “-”
BL-Amp	one NL4MP socket low frequency pins 1+/1- high frequency pins 2+/2-	a four-conductor cable on both ends wired to pins 1+/1-, 2+/2- of NL4FC	one NL4MP socket low frequency pins 1+/1- high frequency pins 2+/2-

Power “PA”

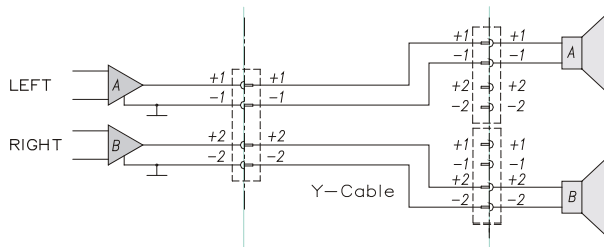
Connector arrangement - 2 channel wiring



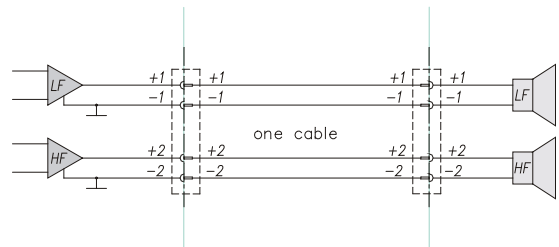
Connector arrangement - Mono bridged wiring



Stereo “HiFi”



Bi-Amp



“100V application”

